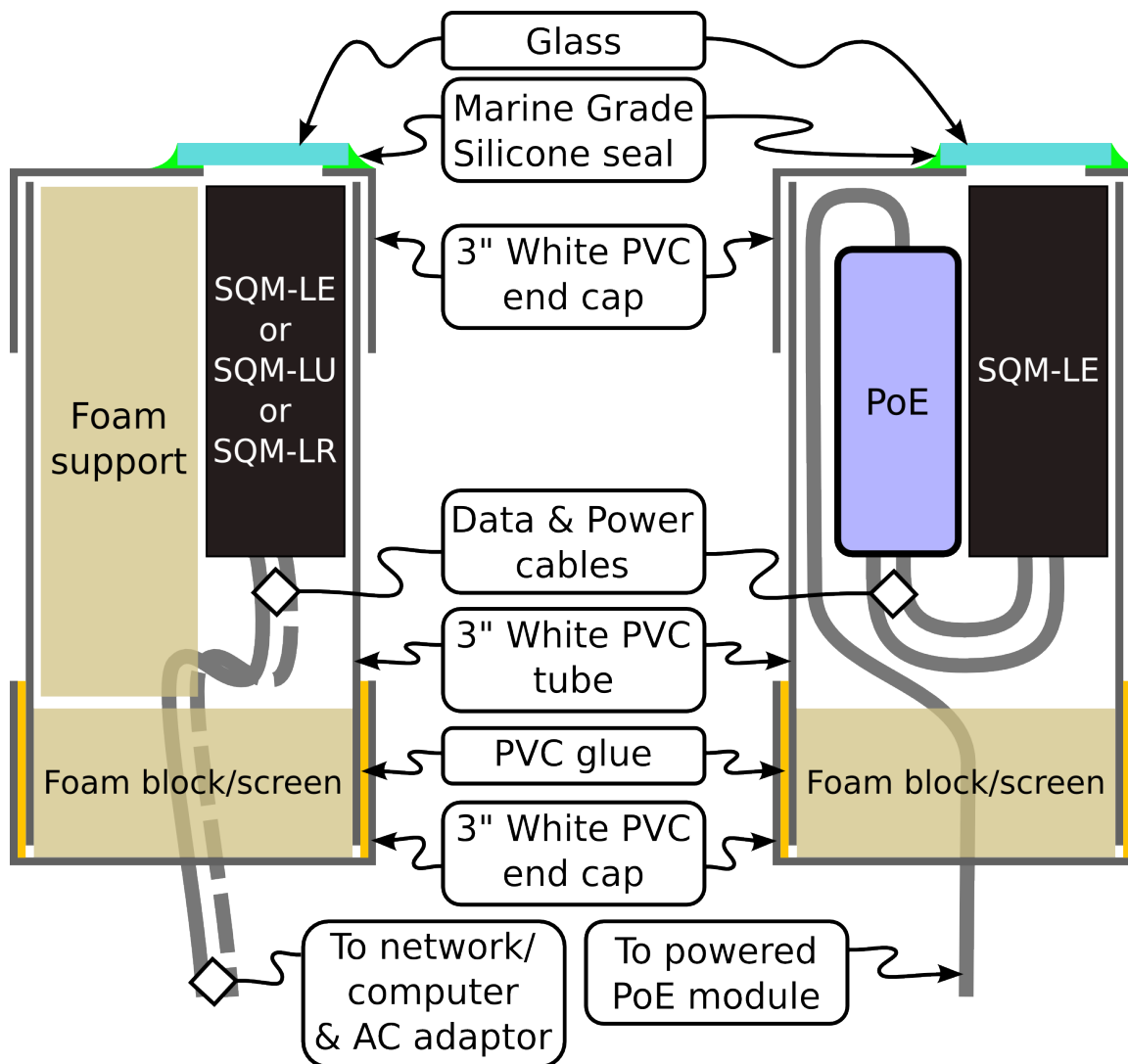


# SQM-LE Weatherproof housing

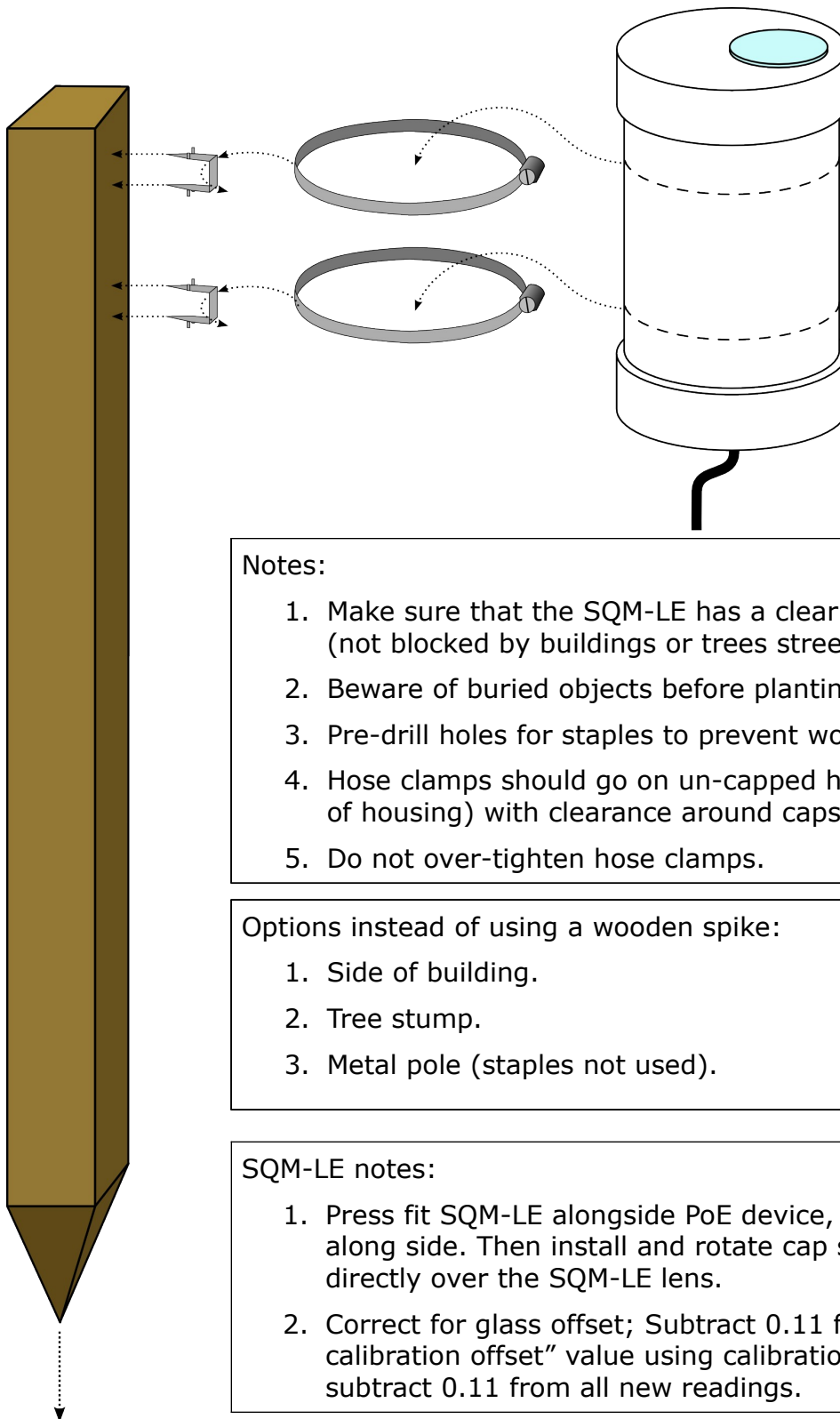
## Features

- White surfaces reflect the hot summer sunshine.
- Opening on bottom to allow moisture to escape.
- Glass top to prevent scratching when removing ice.
- Raised glass surface to prevent dirt and leaves from collecting.
- Small glass opening to minimize internal heating due to the Sun.
- Cable opening at bottom sealed with open-cell (breathable) foam prevents insects from entering.
- Marine silicone seal rated for outdoor use.
- Silicone seal around glass extends beyond glass-plastic interface to prevent ice from building in crevices.
- Hose clamps for easy mounting to pole.



# Mounting

One possible mounting method is shown below:



## Notes:

1. Make sure that the SQM-LE has a clear view of the sky (not blocked by buildings or trees street lights).
2. Beware of buried objects before planting wooden stake.
3. Pre-drill holes for staples to prevent wood splitting.
4. Hose clamps should go on un-capped housing area (center of housing) with clearance around caps for staples.
5. Do not over-tighten hose clamps.

## Options instead of using a wooden spike:

1. Side of building.
2. Tree stump.
3. Metal pole (staples not used).

## SQM-LE notes:

1. Press fit SQM-LE alongside PoE device, or with foam insert along side. Then install and rotate cap so window is directly over the SQM-LE lens.
2. Correct for glass offset; Subtract 0.11 from "Light calibration offset" value using calibration software, or subtract 0.11 from all new readings.